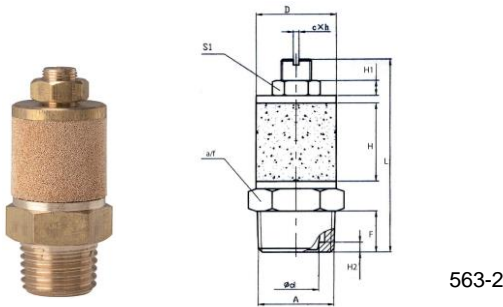


The volume of exhaust air can be set by means of an adjusting screw with a lock nut.

Operating pressure: Max. 10 bar
Operating temperature: -10 °C to +250 °C
Pore size: 40 µm



Sintered bronze silencers, adjustable

Art. No.	Type No.	Thread A	D mm	d mm	F mm	a/f mm	H mm	S1 mm	H1 mm	L mm	H2 mm	h mm	c mm
113313	563-0	M5	8.0	2.0	4.0	8	7.0	7.0	2.5	21.0 ~ 28.0	-	2.0	0.8
113314	563-1	R 1/8	16.0	5.0	8.0	16	13.5	9.0	3.5	38.0 ~ 48.0	4.0	1.0	1.0
113315	563-2	R 1/4	16.0	5.0	9.5	16	13.5	9.0	3.5	39.5 ~ 49.5	5.5	1.0	1.0
113316	563-3	R 3/8	21.3	6.5	10.5	22	21.0	11.0	4.0	47.5 ~ 60.5	4.5	2.0	1.5
113317	563-4	R 1/2	21.3	6.5	12.0	22	21.0	11.0	4.0	49.0 ~ 62.0	5.0	2.0	1.5
113318	563-5	R 3/4	29.0	10.0	12.0	30	36.0	18.0	4.0	75.4 ~ 90.0	-	2.5	2.0
113319	563-6	R 1	33.0	10.0	14.5	36	36.0	18.0	4.0	75.9 ~ 90.5	-	2.5	2.0

Flow rates and Noise level

Art. No.	Type No.	Thread A	Flow rate 6 bar l/min.	Noise level 6 bar dB(A)
113313	563-0	M5	-	-
113314	563-1	R 1/8	650	88
113315	563-2	R 1/4	1450	85
113316	563-3	R 3/8	2060	85
113317	563-4	R 1/2	3950	83
113318	563-5	R 3/4	-	-
113319	563-6	R 1	-	-

Noise level measurements at $P_1 = 6$ bar, distance 1 m
Flow at $P_1 = 6$ bar and $\Delta p = 1$ bar

- The use of silencers does not automatically reduce exhaust noise to a safe level. The need for other noise-reducing measures, such as hearing protection, must be assessed as well.
- Uses and applications are the responsibility of the user. However, it is necessary to carry out appropriate tests before use in order to convince yourself of the desired function under the respective conditions. All further claims, in particular liability for consequential damages, are excluded in principle.